

# HONDA CB500 HORNET '24-

## M O U N T I N G I N S T R U C T I O N S

REF 21935

WINDSHIELD NG TOURING - CARENABRÍS NG TOURING



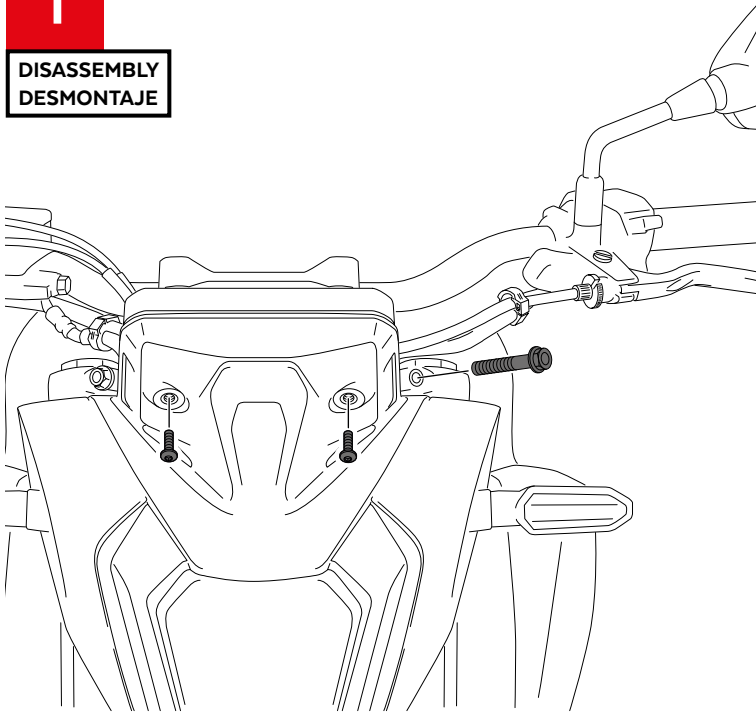
| ID | PIEZA/PART | DESCRIPCIÓN                       | DESCRIPTION                    | QTY | REF              |
|----|------------|-----------------------------------|--------------------------------|-----|------------------|
| 1  |            | Cúpula touring                    | Touring screen                 | 1   | 21935W/H/F/J/RM3 |
| 2  |            | Soporte central                   | Central support                | 1   | SOPOR3P1-C21935  |
| 3  |            | Soporte derecho                   | Right support                  | 1   | SOPOR3P1-R21935  |
| 4  |            | Soporte izquierdo                 | Left support                   | 1   | SOPOR3P1-L21935  |
| 5  |            | Casquillo Ø13x Ø8 x 6mm           | Ø13x Ø8 x 6mm arrowhead        | 2   | CASQUI-----776   |
| 6  |            | Tornillo M6x20 Ø14 ISO 7380       | M6x20 Ø14 ISO 7380 Allen screw | 2   | TORNI-I7380-404  |
| 7  |            | Silentblock Ø12xØ6x9              | Ø12xØ6x9 Silentblock           | 3   | AROPASACABLES-1  |
| 8  |            | Casquillo con valona Ø12xØ6,8x7,3 | Ø12xØ6,8x7,3 Bush with flange  | 3   | CASQUI-1A---750  |
| 9  |            | Tornillo Allen M5x12 Ø11 ISO 7380 | M5x12 Ø11 ISO 7380 Allen screw | 3   | TORNI-AI----520  |
| 10 |            | Tapón tornillo M5 ISO 7380        | M5 ISO 7380 screw cap          | 3   | TAPON-----85     |

# HONDA CB500 HORNET '24-

INSTRUCCIONES DE MONTAJE - MOUNTING INSTRUCTIONS - MONTAGEANLEITUNG

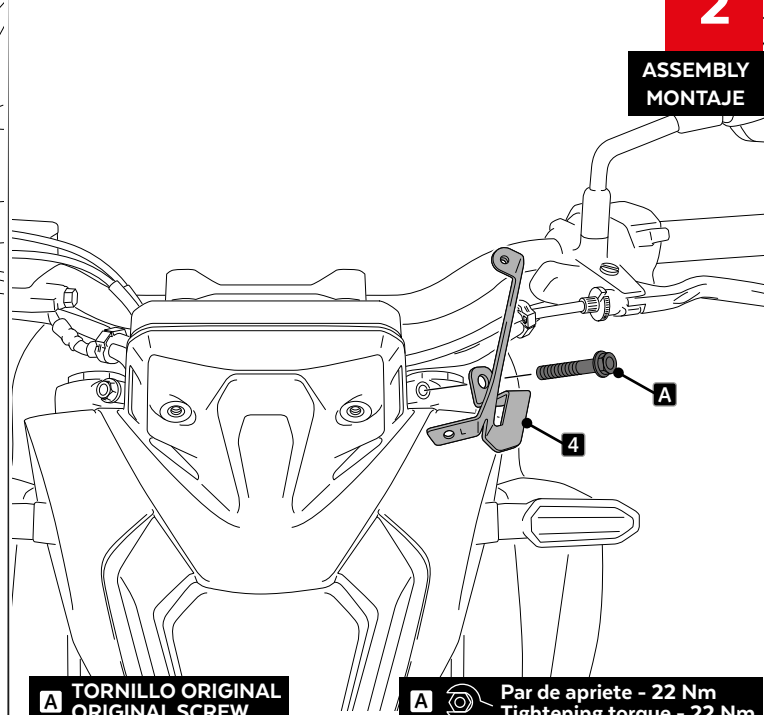
**1**

DISASSEMBLY  
DESMONTAJE



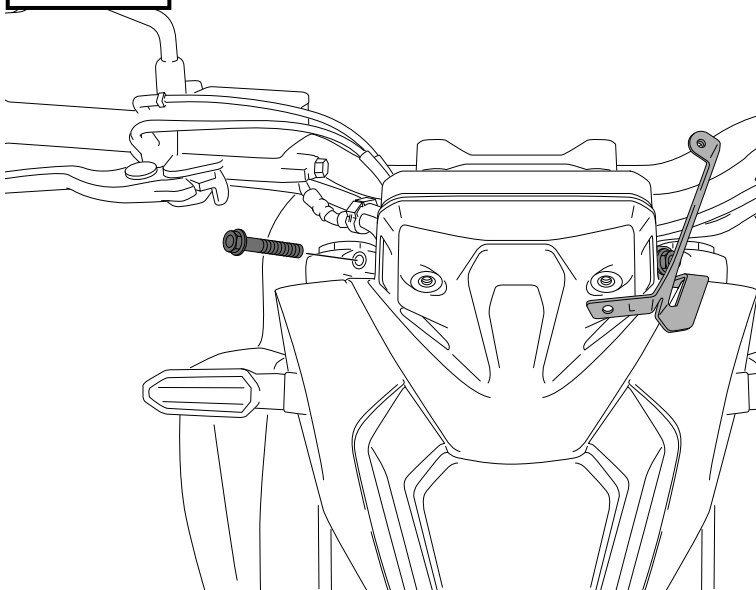
**2**

ASSEMBLY  
MONTAJE



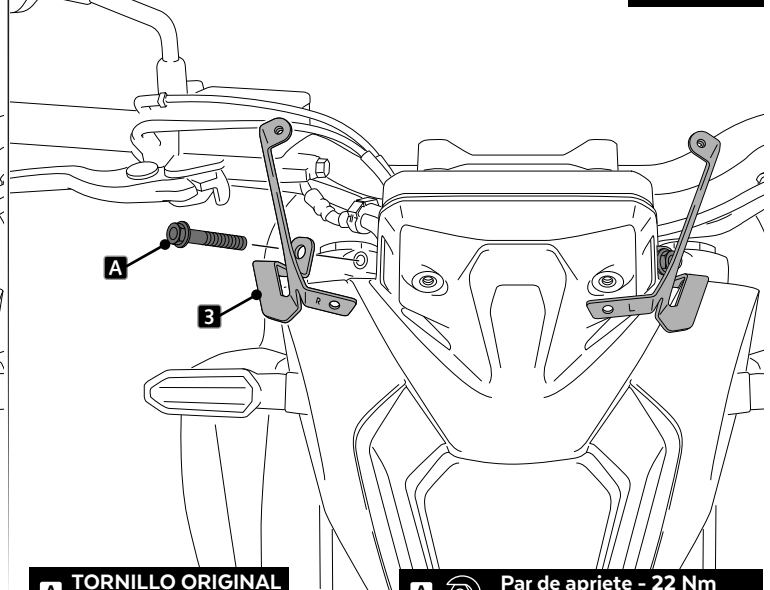
**3**

DISASSEMBLY  
DESMONTAJE



**4**

ASSEMBLY  
MONTAJE

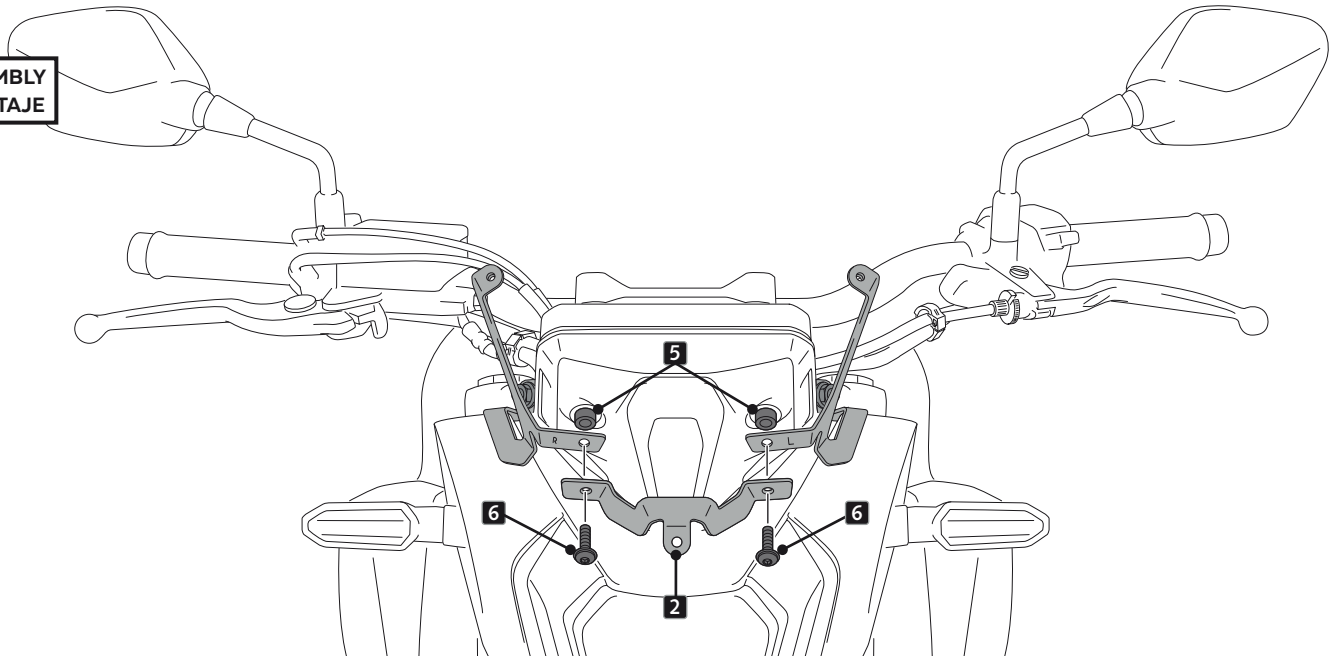



# HONDA CB500 HORNET '24-

INSTRUCCIONES DE MONTAJE - MOUNTING INSTRUCTIONS - MONTAGEANLEITUNG

**5**

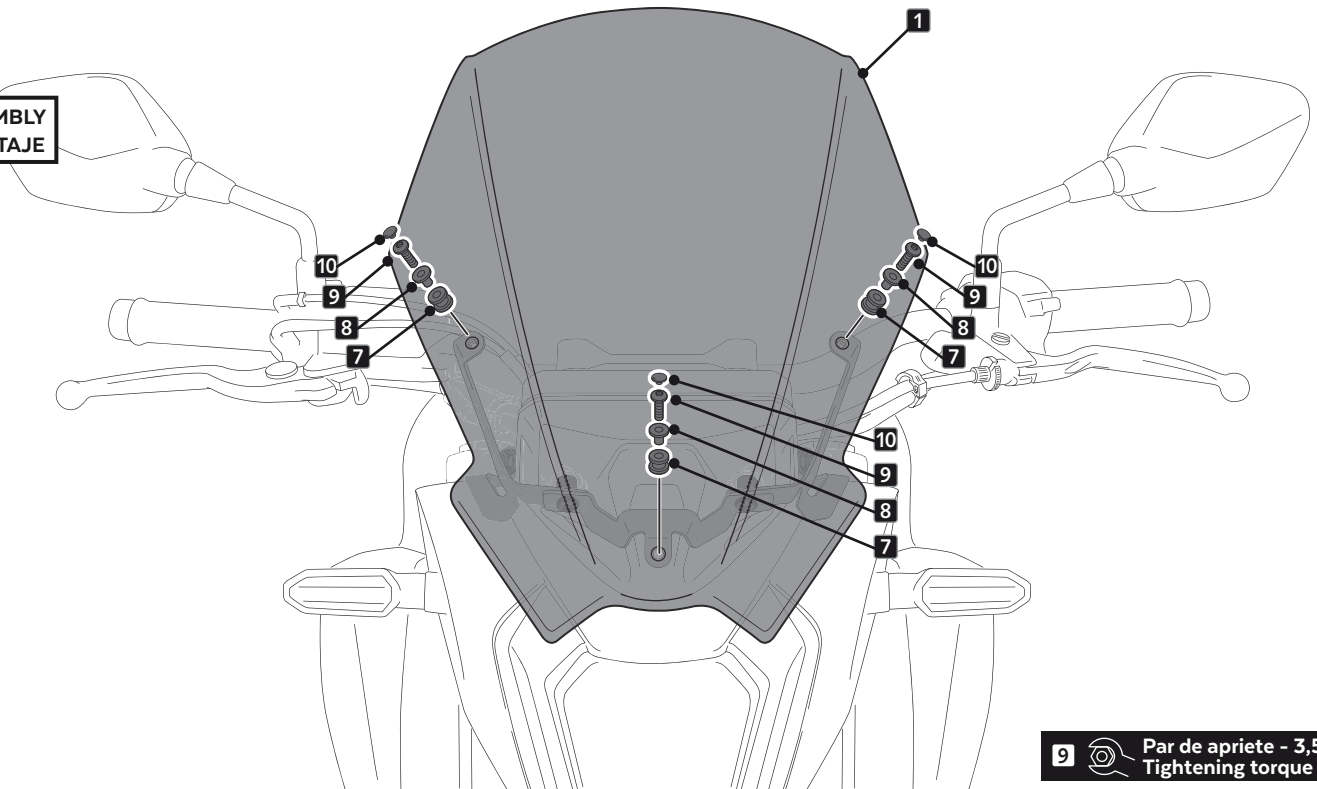
DISASSEMBLY  
DESMONTAJE




**6**  Par de apriete - 5 Nm  
Tightening torque - 5Nm

**7**

DISASSEMBLY  
DESMONTAJE



**9**  Par de apriete - 3,5 Nm  
Tightening torque - 3,5Nm